

Estd - 1950

★ STANDARD LOADCELLS

...Setting New Standards

**Introducing New Generation
Cup n Ball Type Loadcell**



Model :- QS-ZY

FEATURES :-

1. BIGGER SENSING ELEMENT– For Better Linearity and Self Centering & Higher Performance
2. FORGED BASE (PATENTED) - Made Of Single Piece And Not Welded for Higher Strength & Stability & More Reliability
3. Anti Lightning Protection ⚡ for Surge Hit
4. IP68 Laser Welding
5. Better Anti Rust & Smart Look with Introducing New Plating Technique.

www.standardloadcells.com

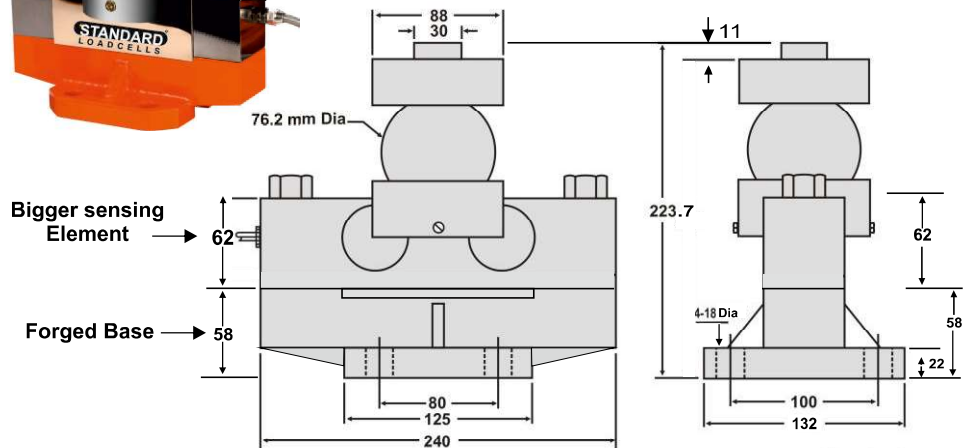
Ritesh Shah Mob: 091-9825098820

Specifications:

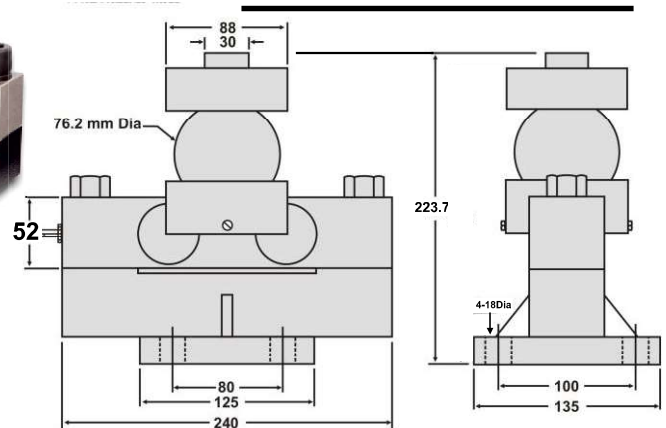
Rated Capacities	5 , 10 , 20 , 30 , 40, 50t
Sensitivity	2.0 ± 0.002mV/V
Accuracy Class	C2~C3
Non-Linearity	±0.02%F.S (FS: Full Scale)
Creep (30 min)	±0.02%F.S
Zero Balance	±1%F.S
TC Effect on Zero & Span	±0.02%F.S/10°C
Input Impedance	750±7Ω
Output Impedance	701±4Ω (L≥15m)
Insulation Impedance	≥ 5000MΩ
Temperature Range, Nominal	-10~+40°C
Temperature Range, Operating	-30~+70°C
Safe Overload	150 % F.S
Ultimate Overload	300 % F.S
Excitation, Recommend	10V~12V DC
Excitation, Maximum	15V DC
Protection Class	IP68 (10t~50t)
Construction	Alloy Steel
Cable Length	L:16m (20t-30t-40t-50t)
Mode of Connection	+Input:Red -Input:Black , +Output:Green -O/p:White



QS-ZY GOLD Standard Model



QS Normal Standard Model



★ All dimensions are in mm

Comparison Chart-Between QS-ZY Gold Standard Model, QS Normal Standard model,and QS Normal

S N	Beneficial Features	QS-ZY Gold Standard Model	QS Normal Standard Model	QS Normal Model Available in Market
1	Sensing Element	BIGGER SENSING ELEMENT-(Height 62mm) For Better Linearity and Self Centering & Higher Performance	Normal (Height-52mm) As available in Market	Normal (Height-52mm) As available in Market
2	Base	FORGED BASE (PATENTED)- Made Of Single Piece & Not Welded for Higher Strength & Stability & More Reliability	Normal Welded Base As available in market	Normal Welded Base As available in market
3	Anti-Lightening	Anti-Lightening Protection Is There For Protection Against Surge Hit	Anti-Lightening Protection Is There For Prot. Against Surge Hit	Not Available
4	IP68-Laser welding	Available	Available	In Few Variety Available
5	Platting	Better Anti Rust and Smart Look with Introducing New Platting Technique	Normal Electroless Nickle Platting	Normal Electroless Nickle Platting
6	Dust Cover	Available	Available	Not-Available
7	CableLength	16 Mtr	16 Mtr	12 /16Mtr
8	Long Spring Glant	Long Spring Glant -500mm Long Spring is there for protection of cable	Spring Glant-25mm As Available In Market	Spring Glant-25mm As Available In Market

